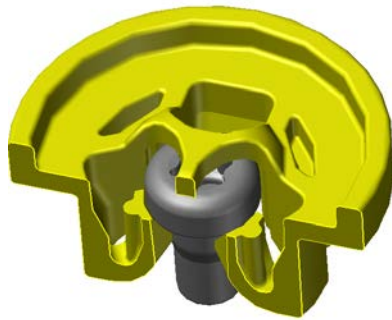


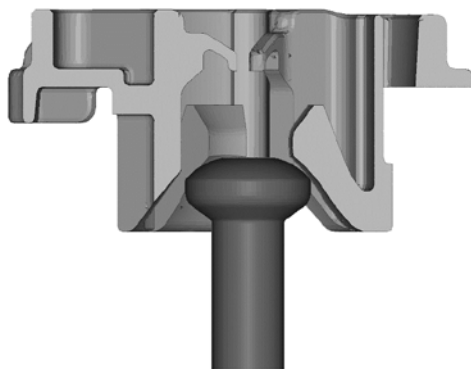
# Failure-free Manual Assembly

Delivers Lowest Total Cost of Ownership by improving reliability and efficiency while accommodating a smaller installation space

Incorrect assembly is a cost driver in car production which results in high rework costs, additional effort and increased assembly time. Further cost drivers are a lack of standardization in the fastener portfolio, and increased pressure on the available space for manual assembly caused by lightweighting efforts.



The new generation of Tucker weld studs in combination with improved Integra plastic fastener retention delivers "Failure-free Fastening". The plastic fastener is manually pushed onto the new weld stud, and due to its unique shape the assembly cannot fail. Operators get tactile and acoustic feedback when assembly is complete.



## Specification:

- 100% waterproof
- Tolerance min. +/-1,5mm
- Multiple assembly min. 10x
- Assembly force: 20 - 80N
- Dis-assembly force: 80 - 180N

## Typical applications include:

- Door panel fixation
- Rear light fixation
- Cover fixations
- Fluid routing
- Wire harness fastening

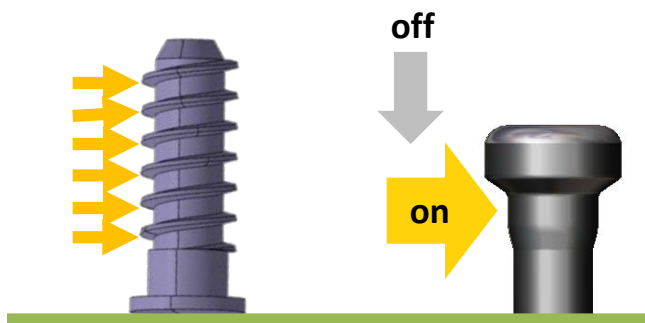
## Main customer benefits

- 100% or 0% assembled
- Reliable installation process eliminates rework
- Tactile operator feedback
- Simple, fast and robust assembly solution

# Failure-free Manual Assembly

Delivers Lowest Total Cost of Ownership by improving reliability and efficiency while accommodating a smaller installation space

Traditional clip retention using a threaded fastener allows for several setting positions and therefore does not guarantee complete assembly. Tucker Failure-free Fastening eliminates the thread so fastener setting is only possible in a single position and incorrect assembly is avoided

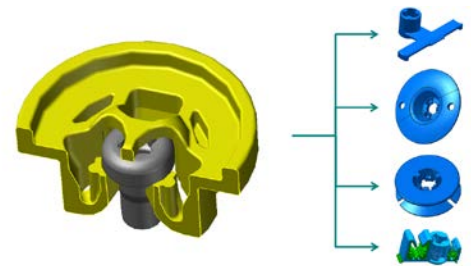


Assembly forces and dis-assembly forces can be tuned within the range specified.

This improved plastic fastener retention makes Tucker Failure-free Fastening ideally suited for: fluid routing, wire harness, covers, panels, and many more applications. Anywhere torque-free assembly can be applied, the stud retention can be combined with the functional part of each plastic fastener.

## Reduce inventory – suitable for many fastener types

- Change stud retention only
- Keep functional part of the fastener



## Complete system from one source

- Plastic Fastener
- Weld Stud
- Welding equipment

